

Assembly & Set-Up

Thank You

Thank you for purchasing this product. It was carefully engineered to provide excellent performance when properly operated and maintained.

Please read this entire manual prior to operating the equipment. It instructs you how to safely and easily set up, operate and maintain your machine. Please be sure that you, and any other persons who will operate the machine, carefully follow the recommended safety practices at all times. Failure to do so could result in personal injury or property damage.

All information in this manual is relative to the most recent product information available at the time of printing. Review this manual frequently to familiarize yourself with the machine, its features and operation. Please be aware that this Operator's Manual may cover a range of product specifications for various models. Characteristics and features discussed and/or illustrated in this manual may not be applicable to all models. We reserve the right to change product specifications, designs and equipment without notice and without incurring obligation.

If applicable, the power testing information used to establish the power rating of the engine equipped on this machine can be found at www.opei.org or the engine manufacturer's web site.

If you have any problems or questions concerning the machine, phone an authorized service dealer or contact us directly. Customer Support telephone numbers, website address and mailing address can be found on this page. We want to ensure your complete satisfaction at all times.

Throughout this manual, all references to *right* and *left* side of the machine are observed from the operating position.

The engine manufacturer is responsible for all engine-related issues with regards to performance, power-rating, specifications, warranty and service. Please refer to the engine manufacturer's Owner's/Operator's Manual, packed separately with your machine, for more information.

Contents of Carton

- String Trimmer (1)
- String Trimmer Operator's Manual (1)
- Pack of Trimmer Line (1)
- Engine Operator's Manual (1)
- Oil (1)

Assembly

NOTE: This string trimmer is shipped without gasoline or oil in the engine. Fill up the gasoline and oil as instructed in the Engine Operator's Manual BEFORE operating your machine.

Upper Handle

1. Remove the wing knob (a) and carriage bolt (b) from the left lower handle and the right lower handle. See Figure 2-1.
2. Pivot the upper handle into the operating position. See Figure 2-1.

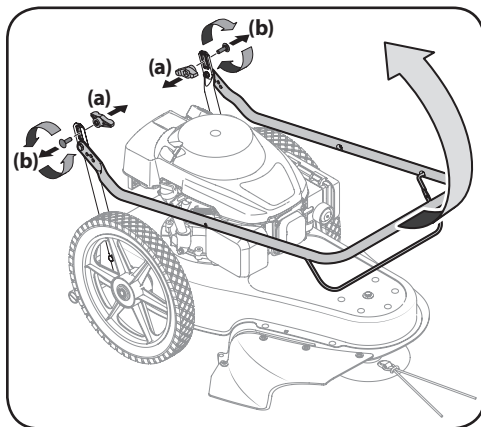


Figure 2-1

3. Move the upper handle into one of three positions by pivoting it forward or rearward.
4. Flip the wing knobs (a) and carriage bolts (b) so that the wing knobs are positioned at the outside of the handle when installed.
5. Secure the upper handle to the lower handle using the wing knobs (a) and carriage bolts (b) removed in Step 1. See Figure 2-2.

NOTE: Make sure to use the corresponding hole on the left side as on the right side of the upper handle.

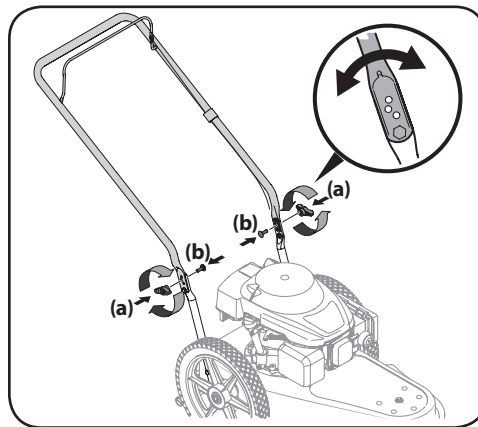


Figure 2-2

Starter Rope

1. Disconnect the spark plug boot from the spark plug (refer to the Engine Operator's Manual).
2. Pivot the control handle against the upper handle and pull the rope out of the engine.
3. Loop the rope through the eye bolt. See Figure 2-3.
4. Tighten the eye bolt to the handle using the lock nut. DO NOT overtighten.

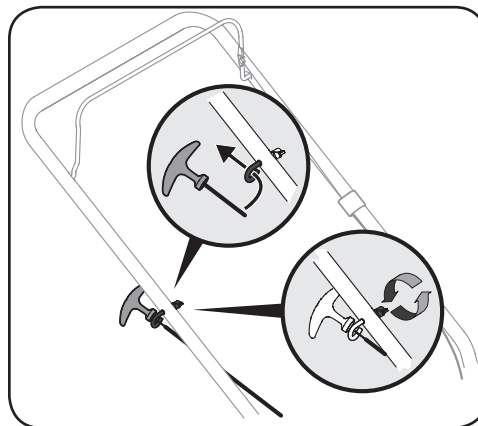


Figure 2-3

Set-Up

Gas and Oil Fill-Up

Refer to the Engine Operator's Manual for additional engine information.

1. Add oil provided before starting unit for the first time.
2. Service the engine with gasoline as instructed in the Engine Operator's Manual.



WARNING: Use extreme care when handling gasoline. Gasoline is extremely flammable and the vapors are explosive. Never fuel the machine indoors or while the engine is hot or running. Extinguish cigarettes, cigars, pipes and any other sources of ignition.